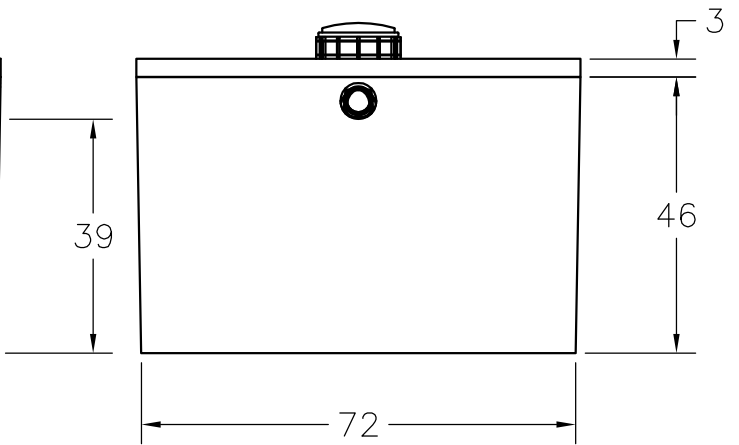
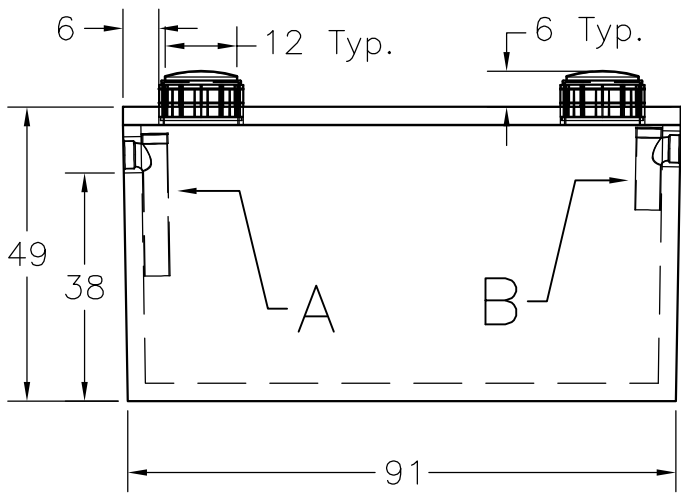
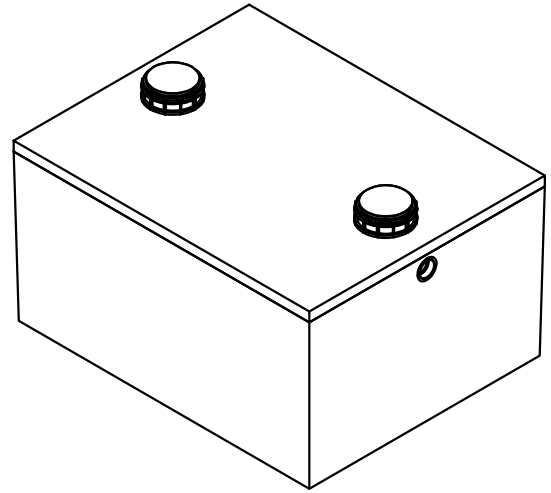
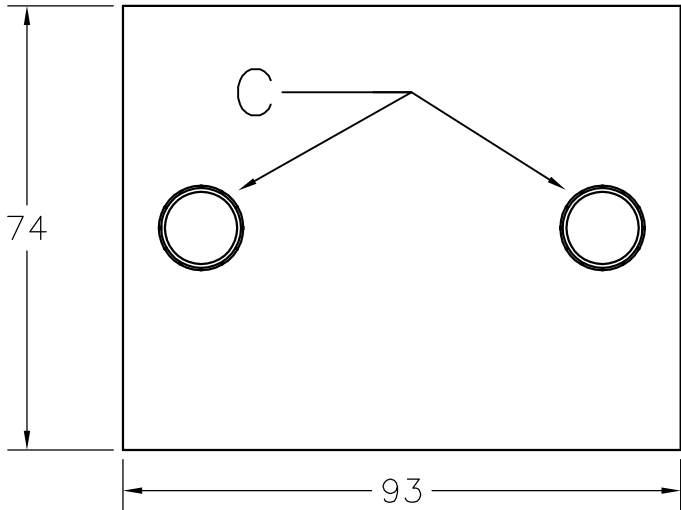


| SPECIFICATIONS | NOTES |
|--|---|
| 1. THE LID IS 3" THICK AND CONTAINS 6 PIECES OF 1/2" Dia. REBAR 87" L. ALSO HAS 1 STRIP OF 6X6-10 Ga. WIRE MESH. | A – Outlet Tuftite PVC Sewer Pipe Seal 4"Dia. |
| 2. THE BOTTOM AND SIDES OF TANK CONTAIN 6x6-10 Ga. WIRE MESH | B – Inlet Tuftite PVC Sewer Pipe Seal 4"Dia. |
| 3. THE SIDES AND BOTTOM OF TANK ARE 3" THICK | C – Tuftite PVC Access Port 12"Dia. 2 Ea. |
| 4. THIS TANK IS STATE APPROVED | |



TOLERANCES:
 ALL DIMENSIONS IN INCHES
 ALL TOLERANCES $\pm 1/2$ " UNLESS OTHERWISE INDICATED

JOHNSON'S CONCRETE PRODUCTS

1000 GALLON LOWBOY

DRAWN BY:
 C&C DRAFTING

DRAWING NUMBER:

ENGINEER:

SCALE:
 1/32

A
 SIZE