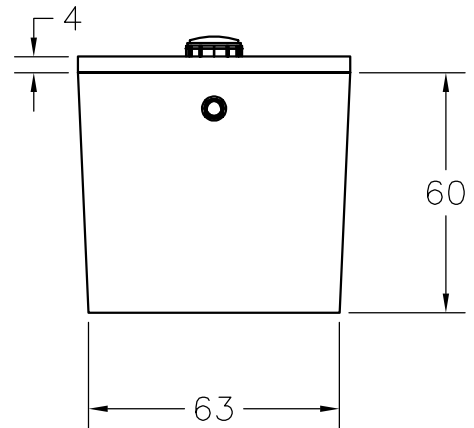
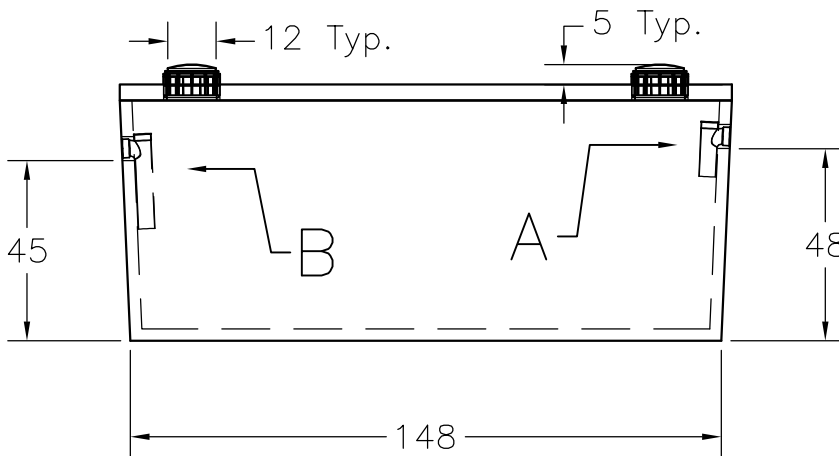
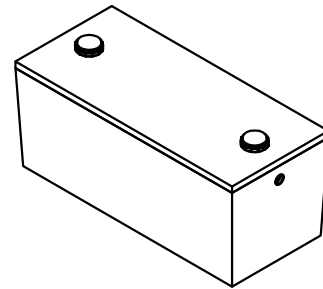
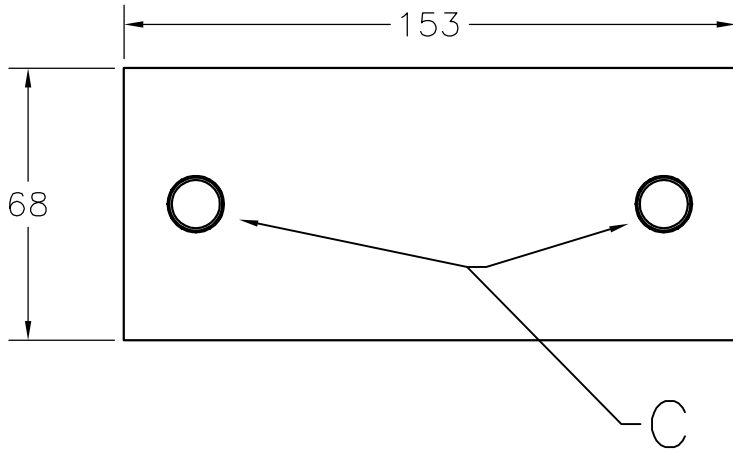


SPECIFICATIONS	NOTES
1. THE LID IS 4" THICK AND CONTAINS 8 PIECES OF 1/2" Dia. REBAR 150" L. ALSO HAS 1 STRIP OF 6X6-10 Ga. WIRE MESH.	A – Outlet Tuftite PVC Sewer Pipe Seal 4" Dia.
2. THE BOTTOM AND SIDES OF TANK CONTAIN 6x6-10 Ga. WIRE MESH	B – Inlet Tuftite PVC Sewer Pipe Seal 4" Dia.
3. THE SIDES AND BOTTOM OF TANK ARE 3" THICK	C – Tuftite PVC Access Port 12" Dia. 2 Ea.
4. THIS TANK IS STATE APPROVED	



TOLERANCES:

ALL DIMENSIONS IN INCHES

ALL TOLERANCES  $\pm 1/2$ " UNLESS OTHERWISE INDICATED

JOHNSON'S CONCRETE PRODUCTS

1500 GALLON SEPTIC TANK

DRAWN BY:

C&C DRAFTING

DRAWING NUMBER:

ENGINEER:

SCALE:

1/48

A  
SIZE