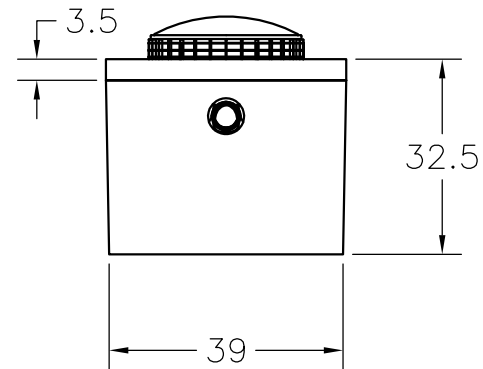
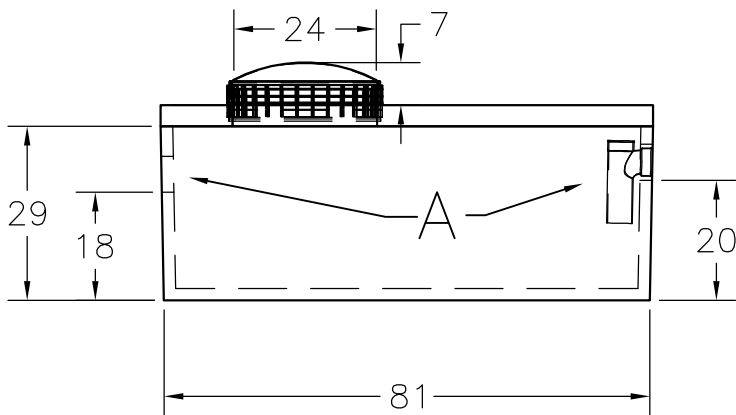
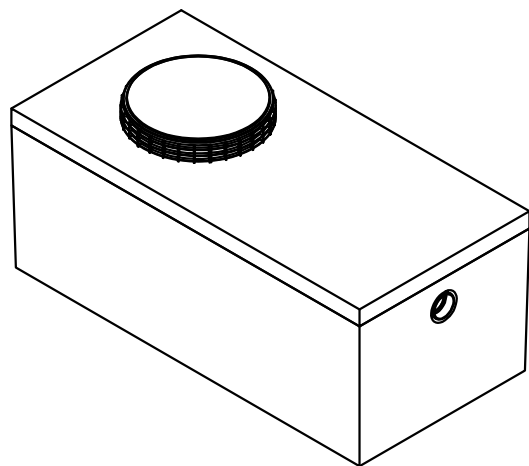
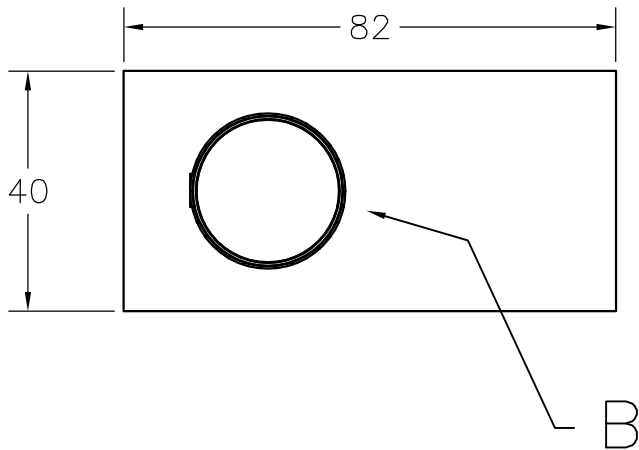


SPECIFICATIONS	NOTES
1. THE LID IS 3.5" THICK AND CONTAINS 4 PIECES OF 1/2" Dia. REBAR 80" L. ALSO HAS 1 STRIP OF 6X6-10 Ga. WIRE MESH.	A – Inlet and Outlet Tuftite PVC Sewer Pipe Seal 4"Dia.
2. THE BOTTOM AND SIDES OF TANK CONTAIN 6x6-10 Ga. WIRE MESH	B – Tuftite PVC Access Port 24" Dia. 1 Ea.
3. THE SIDES AND BOTTOM OF TANK ARE 2.5" THICK.	
4. THIS TANK IS STATE APPROVED	



TOLERANCES:
 ALL DIMENSIONS IN INCHES
 ALL TOLERANCES $\pm 1/2$ " UNLESS OTHERWISE INDICATED

JOHNSON'S CONCRETE PRODUCTS

225 GALLON PUMP TANK

DRAWN BY:
 C&C DRAFTING

DRAWING NUMBER:

ENGINEER:

SCALE:
 1/32

A
 SIZE