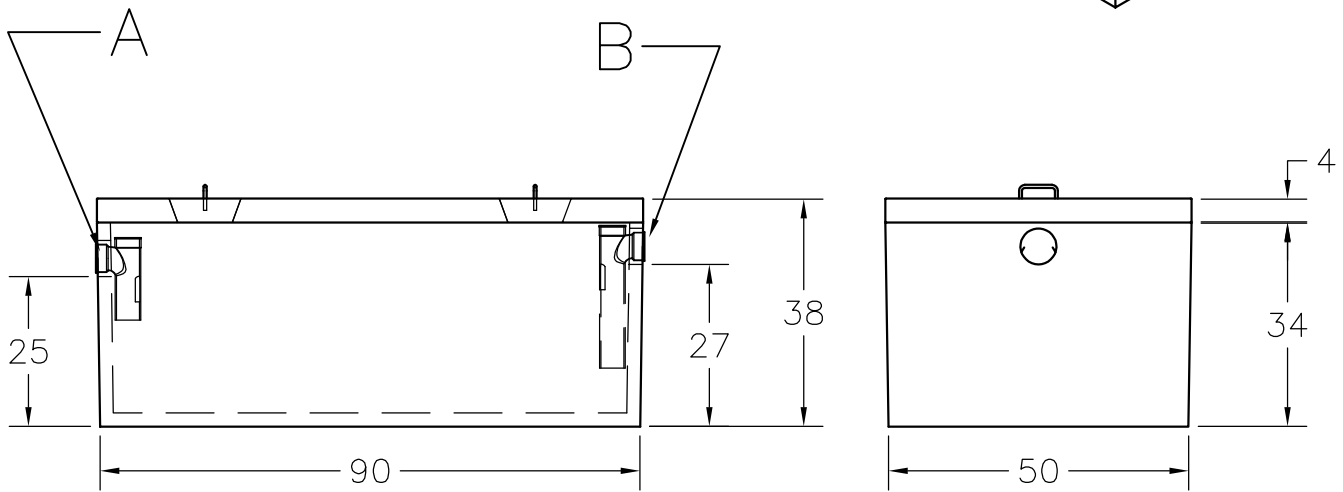
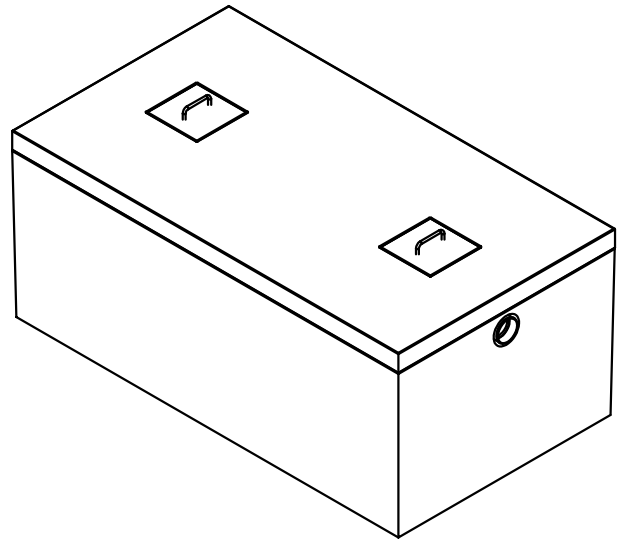
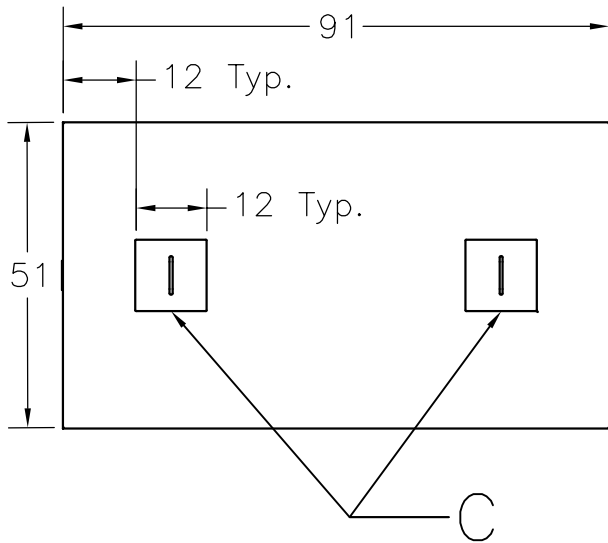


SPECIFICATIONS	NOTES
1. THE LID IS 4" THICK AND CONTAINS 4 PIESES OF 1/2" Dia. REBAR 84" L. ALSO HAS 1 STRIP OF 6X6-10 Ga. WIRE MESH.	A- 4" Dia outlet with 4" PVC Sewer Pipe Seal. 1 required
2. THE BOTTOM AND SIDES OF TANK CONTAIN 6x6-10 Ga. WIRE MESH	B- 4" Dia outlet with 4" PVC Sewer Pipe Seal. 1 required
3. THE SIDES AND BOTTOM OF TANK ARE 2-1/2" THICK.	C- 12" Sq. plug. 2 required



TOLERANCES:
ALL TOLERANCES
±1/2" UNLESS
OTHERWISE
INDICATED

JOHNSON'S CONCRETE PRODUCTS

500 GALLON LOWBOY

DRAWN BY:
C&C DRAFTING

DRAWING NUMBER:

ENGINEER:

SCALE:
1/32

A
SIZE